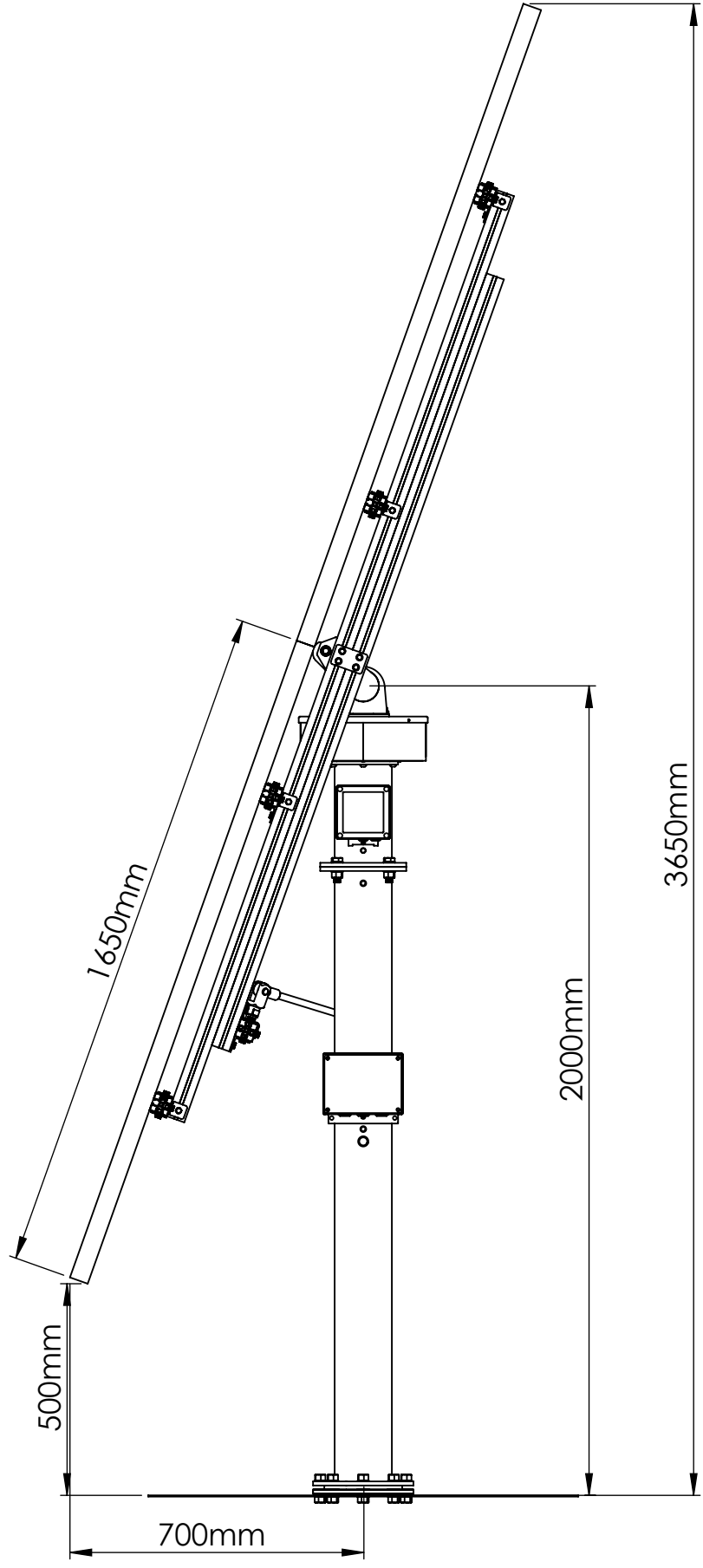
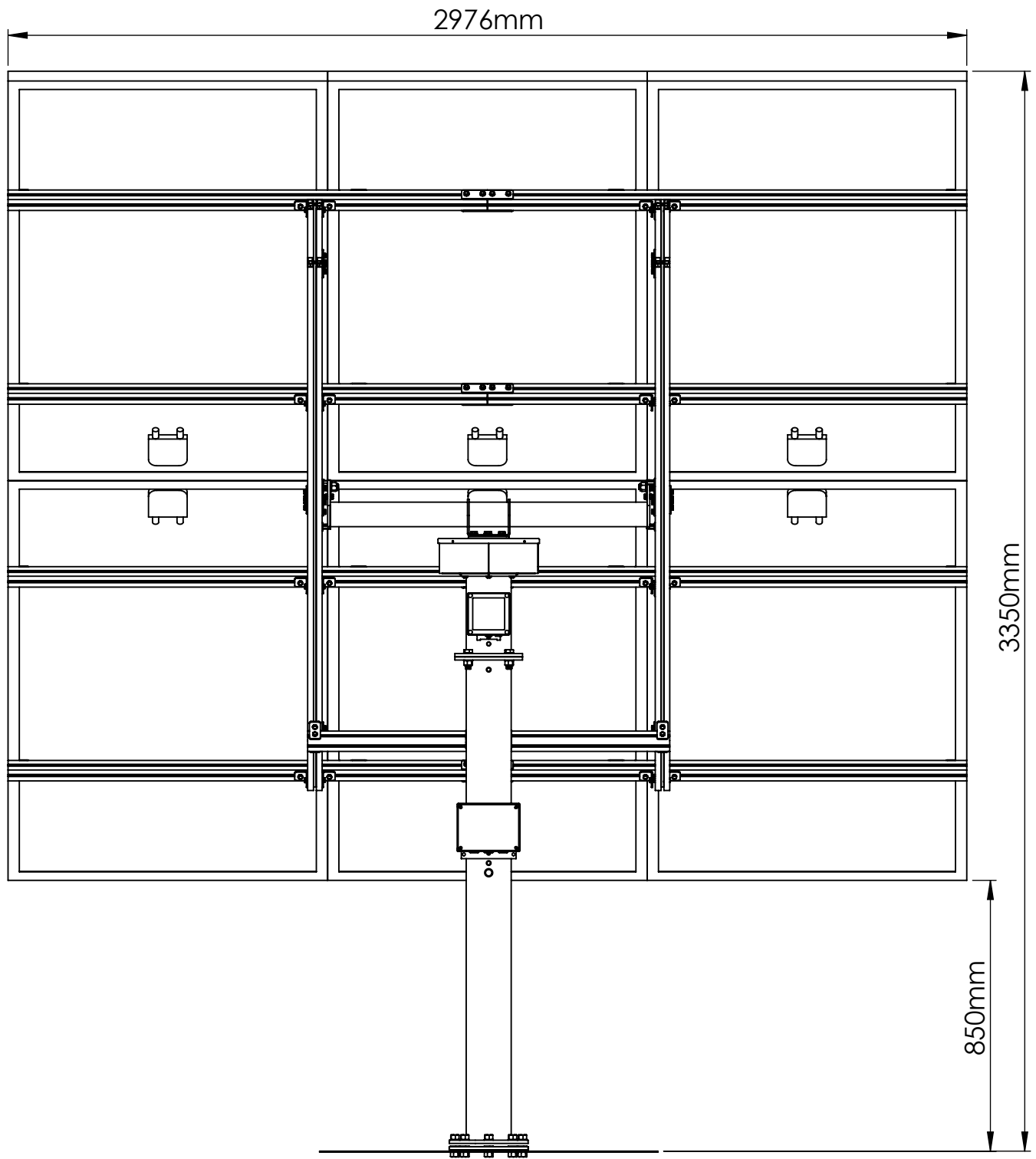


THE INFORMATION CONTAINED IN THIS DRAWING IS THE SOLE PROPERTY OF HELIOZENIT. ANY REPRODUCTION IN PART OR AS A WHOLE WITHOUT THE WRITTEN PERMISSION OF HELIOZENIT IS PROHIBITED.




Pcs:	1	Part Name:	PV-6M Morning Position	Material:	
Designer:	Mike	Assembly Name:	Dimensions	Scale:	1:16
		Project:	<b>Heliomotion</b>	Version:	1
				Part Number:	





THE INFORMATION CONTAINED IN THIS DRAWING IS THE SOLE PROPERTY OF HELIOZENIT. ANY REPRODUCTION IN PART OR AS A WHOLE WITHOUT THE WRITTEN PERMISSION OF HELIOZENIT IS PROHIBITED.

Pcs:	1	Part Name:	PV-6M Noon Position	Material:	
Designer:	Mike	Assembly Name:	Dimensions	Scale:	1:18 View:
 <b>HelioZenit</b> <a href="mailto:info@heliomotion.com">info@heliomotion.com</a>	<b>Heliomotion</b>	Project:		Version:	1
				Part Number:	